

Polarization Maintaining Isolator/Wavelength Division Multiplexer Hybrid (PMIWDM Series)

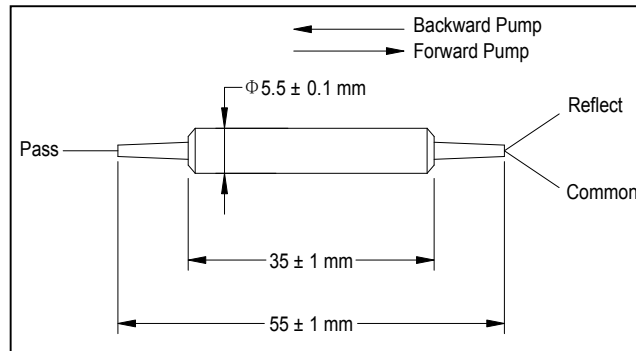
The PMIWDM series combines Filter WDM and isolator into a compact package to offer cost saving solution. This device is ideal for fiber amplifier application to combine signal and pump wavelengths with very stable 1550 nm signal isolation. It is designed and manufactured according to Telcordia standard.

Specifications

Parameter	Unit	Single Stage	Dual Stage	
Pass Band	Signal Wavelength Range	nm	1530 - 1580	
	Max. Insertion Loss	dB	0.8	
	Forward: Pass→Common			
	Backward: Common→Pass			
	Typ. Peak of Signal Isolation	dB	40	55
	Min. Signal Isolation (1550 ± 10 nm), 23 °C	dB	30	45
	Forward: Common→Pass Backward: Pass→Common			
Reflection Band	Wavelength Range	nm	1270 - 1350 or 1450 - 1490	
	Max. Insertion Loss, Reflect→Common	dB	0.6	
Min. Extinction Ratio at 23 °C	dB	20		
Min. Return Loss	dB	50		
Max. Optical Power (Continuous Wave)	mW	300		
Max. Tensile Load	N	5		
Operating Temperature	°C	-5 to +70		
Storage Temperature	°C	-40 to +85		

*IL is 0.3 dB higher, RL is 5 dB lower, and ER is 2 dB lower for each connector added. Connector key is aligned to slow axis.

Package Dimensions



Ordering Information

PMIWDM-31-①②③④⑤⑥⑦

- ①: Pump Type
 1 - Forward pump
 2 - Backward pump

PMIWDM-48-①②③④⑤⑥⑦

- ②: Stage Type
 1 - Single stage
 2 - Dual stage
- ③: Connector Type
 1 - FC/UPC
 2 - FC/APC
 3 - SC/UPC
 4 - SC/APC
 N - None
 S - Specify

- ④: Fiber Jacket
 B - 250 μm Panda fiber
 L - 900 μm loose tube
 S - Specify

- ⑤: Fiber Type for Reflect Port
 M - SMF-28 fiber
 P - Panda fiber
 S - Specify

- ⑥: Fiber Length
 Q - 0.75 m
 S - Specify

- ⑦: Working Axis
 F - Fast axis blocked
 B - Both axis working