



## Dense Wavelength Division Multiplexer (DWDM Series)

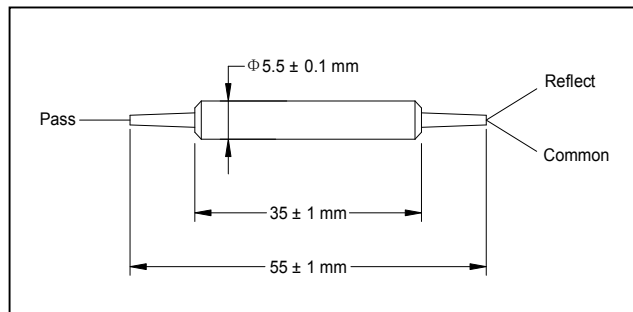
The Dense Wavelength Division Multiplexer series is designed and manufactured to Telcordia standard and ITU standard. The devices use environmentally stable thin film filter and advanced packaging technology to achieve wide passband, low insertion loss, high channel isolation and excellent environmental stability. They can be used individually to perform single channel add or drop function or can be cascaded into sequence for multi-channel applications in DWDM systems.

### Specifications

Parameter	Unit	Value	
		200 GHz	100 GHz
Filter Type			ITU Grid
Pass Band	Center Wavelength		
	Min. Bandwidth @ 0.5 dB	0.5	0.22
	Typ. Bandwidth @ 0.5 dB	0.7	0.4
	Max. Insertion Loss @ C→P	1.0	1.2
	Typ. Insertion Loss @ C→P	0.8	1
	Min. Channel Isolation @ C→P	25	25
	Typ. Channel Isolation @ C→P	30	30
Reflection Band	Max. Insertion Loss @ C→R	0.5	0.5
	Typ. Insertion Loss @ C→R	0.3	0.3
	Min. Channel Isolation @ C→R	12	12
	Typ. Channel Isolation @ C→R	14	14
	Max. Polarization Dependent Loss	0.1	0.1
	Typ. Polarization Dependent Loss	0.05	0.05
	Min. Directivity	50	50
	Min. Return Loss	50	50
	Center Wavelength Stability	nm/°C	0.002
	Thermal Stability	dB/°C	0.005
	Max. Optical Power	mW	300
	Fiber Type		SMF-28 fiber
	Max. Tensile Load	N	5
	Operating Temperature	°C	-5 to +70
	Storage Temperature	°C	-40 to +85

\*IL is 0.3 dB higher, RL is 5 dB lower for each connector added.

### Package Dimensions



### Ordering Information

#### DWDM-①②③④⑤

①: Channel Spacing

1 - 100 GHz

2 - 200 GHz

②②: ITU Grid

③: Connector Type

1 - FC/UPC    4 - SC/APC

2 - FC/APC    N - None

3 - SC/UPC    S - Specify

④: Fiber Jacket

B - 250 μm bare fiber

L - 900 μm loose tube

S - Specify

⑤: Fiber Length

1 - 1.0 m

S - Specify