

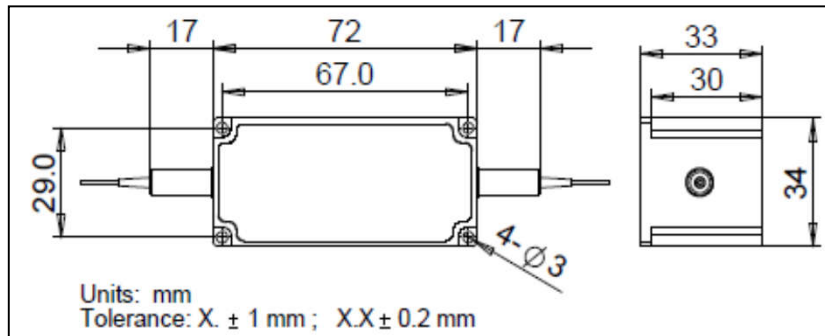
High Power Polarization Maintaining Isolator (HI Series)

The 980 nm High Power Polarization Maintaining Isolator is characterized with low insertion loss, high isolation, high power handling, high return loss, excellent environmental stability and reliability. It is ideal for fiber laser and instrumentation applications.

Specifications

Parameter	Unit	Value
Center Wavelength (λ_c)	nm	980
Typ. Peak Isolation	dB	30
Min. Isolation, λ_c , 23 °C, all polarization states	dB	25
Typ. Insertion Loss, 23 °C	dB	1.3
Max. Insertion Loss, 23 °C	dB	1.5
Min. Return Loss (Input/Output)	dB	45/45
Min. Extinction Ratio	dB	20
Max. Average Optical Power	W	20
Max. Peak Power for ns Pulse	kW	10
Max. Tensile Load	N	5
Fiber Type		PM 980 Panda fiber

Package Dimensions



Ordering Information

HPMI-①①-②②-③③-④④-⑤⑤-⑥⑥-⑦⑦

①①: Wavelength

98 - 980 nm

SS - Specify

②②: Handling Power

03 - 3 W

10 - 10 W

20 - 20 W

SS - Specify

③③: Connector Type

N - None

④④: Fiber Jacket

B - 250 μ m bare fiber

L - 900 μ m loose tube

S - Specify

⑤⑤: Fiber Length

Q - 0.75 m

S - Specify

⑥⑥: Working Axis

F - Fast axis blocked

B - Both axis working

⑦⑦: Power Type

P - Pulse Application

C - Continuous Wave