

Polarization Maintaining Filter Wavelength Division Multiplexer (PMFWDM Series)

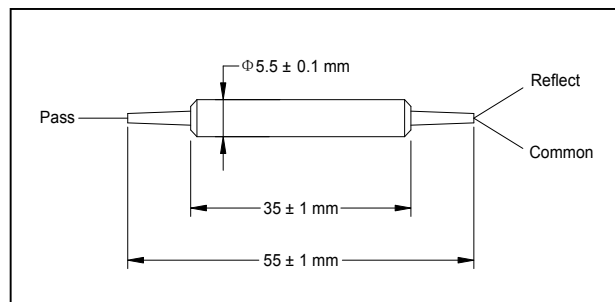
The PM FWDM series provides wavelength division multiplexing while maintaining signal polarization. The components are based on environmentally stable thin-film filter technology and are characterized with high extinction ratio, low insertion loss, and high return loss. They are ideal for high speed WDM network systems.

Specifications

Parameter		Unit	Value
Pass Band	Wavelength Range	nm	1530 - 1580
	Typ. Insertion Loss	dB	0.8
	Max. Insertion Loss	dB	1.0
	Typ. Isolation	dB	30
	Min. Isolation	dB	25
Reflection Band	Wavelength Range	nm	980 ± 20
	Typ. Insertion Loss	dB	0.4
	Max. Insertion Loss	dB	0.6
	Typ. Isolation	dB	15
	Min. Isolation	dB	12
Min. Extinction Ratio		dB	20
Min. Return Loss		dB	50
Thermal Stability		dB/°C	0.005
Fiber Type			PM 1550 Panda fiber for Pass port 980 Panda PM fiber for Reflect and Common ports
Max. Optical Power (Continuous Wave)		mW	300
Max. Tensile Load		N	5
Operating Temperature		°C	-5 to +70
Storage Temperature		°C	-40 to +85

*IL is 0.3 dB higher, RL is 5 dB lower, and ER is 2 dB lower for each connector added. Connector key is aligned to slow axis.

Package Dimensions



Ordering Information

PMFWDM-①①①①②③④

①①①①: Wavelength

5598 - 1550 Pass/980 Reflect

②: Connector Type

1 - FC/UPC

2 - FC/APC

3 - SC/UPC

4 - SC/APC

N - None

S - Specify

③: Fiber Jacket

B - 250 μ m Panda fiber

L - 900 μ m loose tube

S - Specify

④: Fiber Length

Q - 0.75 m

S - Specify