



## 1064 nm In-line Polarizer (ILP Series)

The 1064 nm In-line Polarizer is designed to pass light with one specific polarization while blocking the other polarization. It can be used to convert non-polarized light into polarized light with high extinction ratio. It can also be used to enhance the extinction ratio of signals with its excellent polarization properties. It is ideal for high speed communication systems and test instrumentations where high polarization extinction ratio is required.

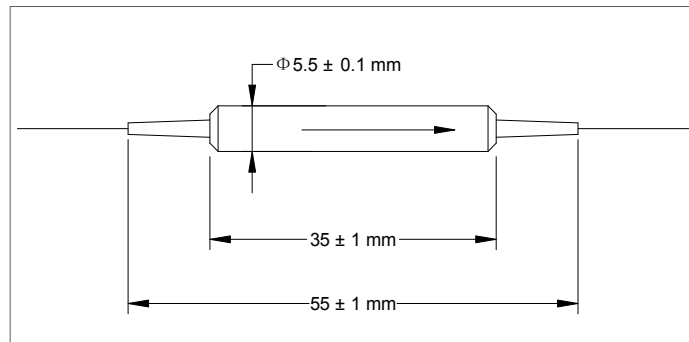
### Specifications

Parameter	Unit	Value
Center Wavelength ( $\lambda_c$ )	nm	1064
Operating Wavelength Range	nm	$\lambda_c \pm 30$
Typ. Insertion Loss, 23 °C	dB	0.4
Max. Insertion Loss	dB	0.6
Typ. Extinction Ratio, 23 °C	dB	30
Min. Extinction Ratio, 23 °C	dB	28
Max. Optical Power (Continuous Wave)	mW	300
Min. Return Loss	dB	50
Operating Temperature	°C	-5 to +70
Storage Temperature	°C	-40 to +85

\*IL is 0.5 dB higher, RL is 5 dB lower, and ER is 2 dB lower for each connector added.

\*Connector key is aligned to slow axis.

### Package Dimensions



### Ordering Information

ILP-①①②③④⑤

①①: Wavelength	②: Connector Type	③: Fiber Jacket	④: Fiber Type (Input/Output)	⑤: Fiber Length
06 - 1064 nm	1 - FC/UPC	B - 250 $\mu$ m Panda fiber	1 - PM/PM	Q - 0.75 m
SS - Specify	2 - FC/APC	L - 900 $\mu$ m loose tube	2 - SMF/PM	S - Specify
	3 - SC/UPC	S - Specify	3 - SMF/SMF	
	4 - SC/APC			
	N - None			