

## In-line (ILP Series)

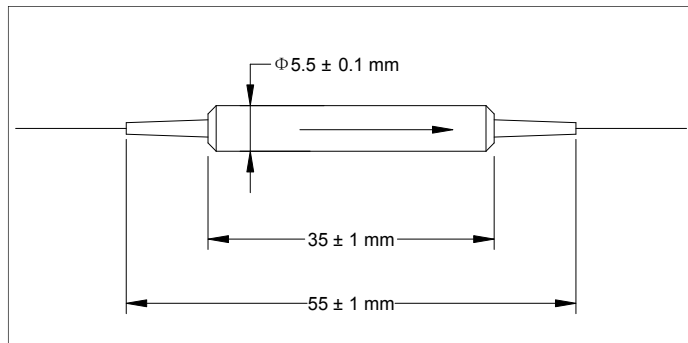
The In-line Polarizer is designed to pass light with one specific polarization while blocking the other polarization. It can be used to convert unpolarized light into polarized light with high extinction ratio. It can also be used to enhance the extinction ratio of signals with its excellent polarization properties. It is ideal for high speed communication systems and test instrumentations where high polarization extinction ratio is required.

### Specifications

Parameters	Unit	Values
Center Wavelength ( $\lambda_c$ )	nm	1310, 1480 or 1550
Operating Wavelength Range	nm	$\lambda_c \pm 50$
Typ. Insertion Loss, 23 °C	dB	0.3
Max. Insertion Loss	dB	0.5
Typ. Extinction Ratio, 23 °C	dB	30
Min. Extinction Ratio, 23 °C	dB	28
Max. Optical Power (Continuous Wave)	mW	300
Min. Return Loss	dB	50
Operating Temperature	°C	-5 to +70
Storage Temperature	°C	-40 to +85

\*IL is 0.3 dB higher, RL is 5 dB lower, and ER is 2 dB lower for each connector added. Connector key is aligned to slow axis.

### Package Dimensions



### Ordering Information

ILP-①①-②-③-④-⑤

①①: Wavelength	②: Connector Type	③: Fiber Jacket	④: Fiber Type (Input/Output)	⑤: Fiber Length
31 - 1310 nm	1 - FC/UPC	B - 250 $\mu$ m Panda fiber	1 - PM/PM	Q - 0.75 m
48 - 1480 nm	2 - FC/APC	D - 400 $\mu$ m Panda fiber	2 - SMF/PM	S - Specify
55 - 1550 nm	3 - SC/UPC	L - 900 $\mu$ m loose tube	3 - SMF/SMF	
SS - Specify	4 - SC/APC	S - Specify		
	N - None			