

## High Power Polarization Maintaing Fiber Isolator (HPMI Series)

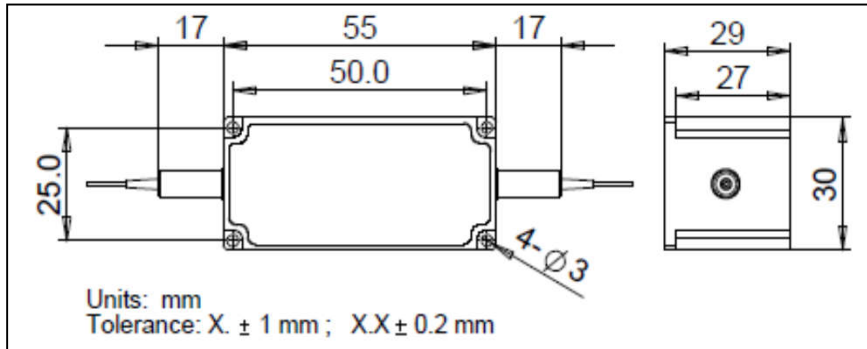
The High Power Polarization Maintaining Isolator is characterized with low insertion loss, high isolation, high power handling, high return loss, excellent environmental stability and reliability. It is ideal for fiber laser and instrumentation applications.

### Specifications

Parameter	Unit	Value
Operating Wavelength ( $\lambda_{op}$ )	nm	850
Typ. Insertion Loss, 23°C	dB	1.3
Max. Insertion Loss, 23°C	dB	1.6
Typ. Peak Isolation	dB	26
Min. Isolation, $\lambda_c$ , 23°C	dB	22
Min. Extinction Ratio	dB	18
Min. Return Loss	dB	45
Max. Optical Power (Continuous Wave)	mW	500
Fiber Type		PM 850 Panda fiber
Operating Temperature	°C	10 to + 50
Storage Temperature	°C	0 to + 60

\*IL is 0.5 dB higher, RL is 5 dB lower, and ER is 2 dB lower for each connector added. Connector key is aligned to slow axis.

### Package Dimensions



### Ordering Information

HPMI-①①①-②-③-④-⑤

①①①: Wavelength	②: Connector Type	③: Fiber Jacket	④: Fiber Length
850 - 850 nm	1 - FC/UPC	B - 250um bare fiber	Q - 0.75 m
SSS - Specify	2 - FC/APC	L - 900um loose tube	S - Specify
	3 - SC/UPC	S - Specify	
	4 - SC/APC		
	N - None		

⑤: Working Axis

F - Fast axis blocked

B - Both axis working